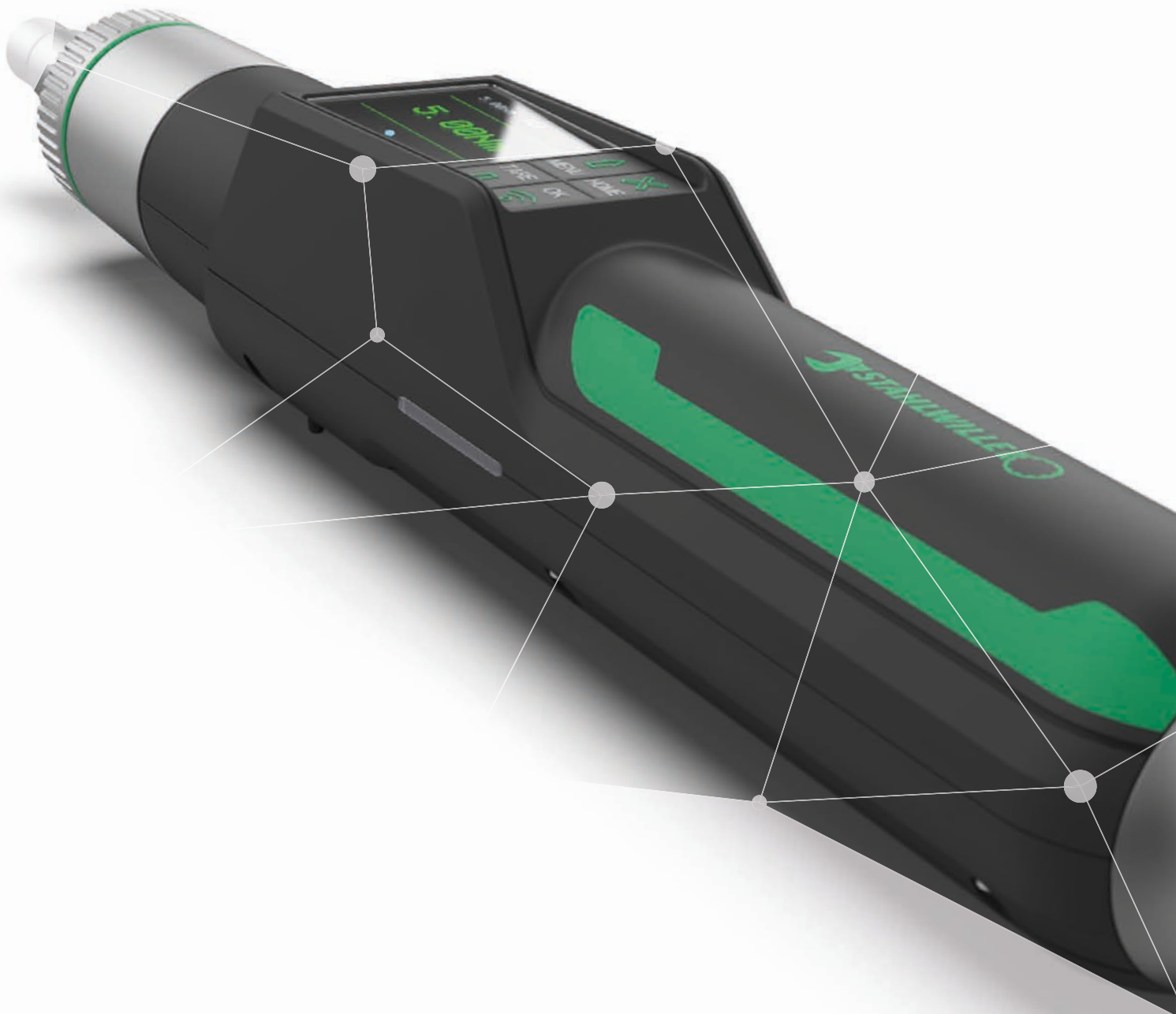




BRILLIANTLY UNIQUE.

TORSIOTRONIC



The best of both worlds – combined for the first time in one screwdriver.
TORSIOTRONIC electromechanical torque screwdriver.



UNIQUE.

The first electromechanical torque screwdriver on the market – combines the accuracy of electronic measurement with the convenience of the »click« from mechanical trigger mechanisms.

TORSIOTRONIC torque screwdriver

Code	No.	cN·m	N·m	in·lb	ft·lb	in·oz	inside \varnothing	L mm	\varnothing g
96 51 04 12	TT120	12-120	0.12-1.2	1.06-10.7	0.08-0.885	16.9-169.9	F 6.3	363.1	678
96 51 04 30	TT300	30-300	0.3-3	2.6-26.6	0.2-2.3	42-425	F 6.3	363.1	679
96 51 04 60	TT600	60-600	0.6-6	5.3-53.1	0.4-4.45	84.5-849.5	F 6.3	363.1	682
96 51 04 00	TT1000	100-1000	1-10	8.8-88.5	0.7-7.3	141-1417	F 6.3	363.1	684

SENSITIVE.

80

Integrated ratcheting bit-holder with 80 teeth that provide a particularly small ratchet angle of only 4.5° and thus enable particularly sensitive working – ideal for hard-to-reach fasteners.

4.5°

FCD

SAFE.

After the tool trips, the slip mechanism prevents the preset tightening torque from being inadvertently exceeded, which protects against overtightening.

BRILLIANT.

Clear display of all the relevant information in a bright, battery-saving colour OLED display – readable at almost any angle.

LEFT AND RIGHT.

Whether the tool is set to indicating only or clicking – both modes can be applied clockwise or anticlockwise.

READY WHEN YOU ARE.

Long-lasting battery charge with battery-saving stand-by mode. The rechargeable batteries can be quickly and easily changed.

LOGGING FUNCTION.

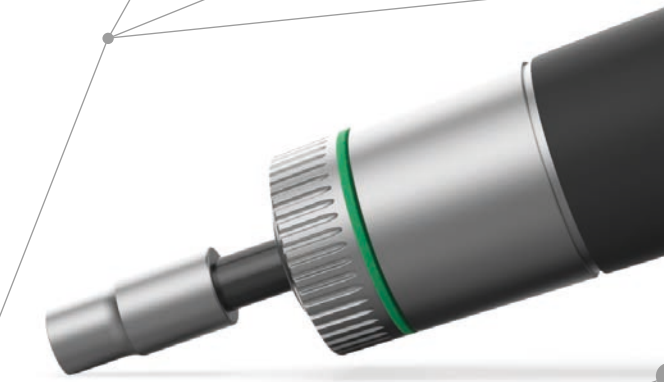
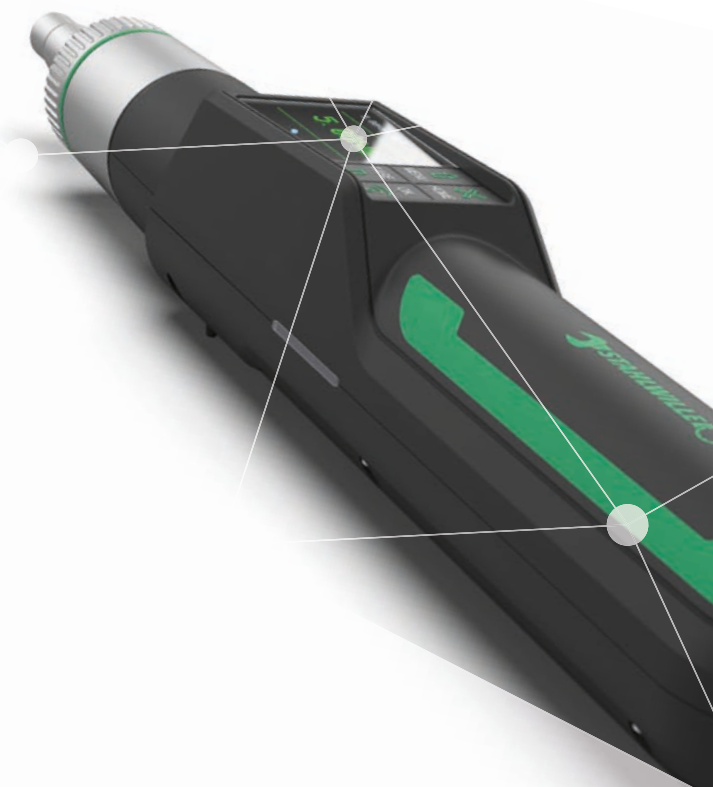
Stores up to 2500 fasteners and sequences for reading out and documenting on the PC later by means of the integrated micro-USB interface.

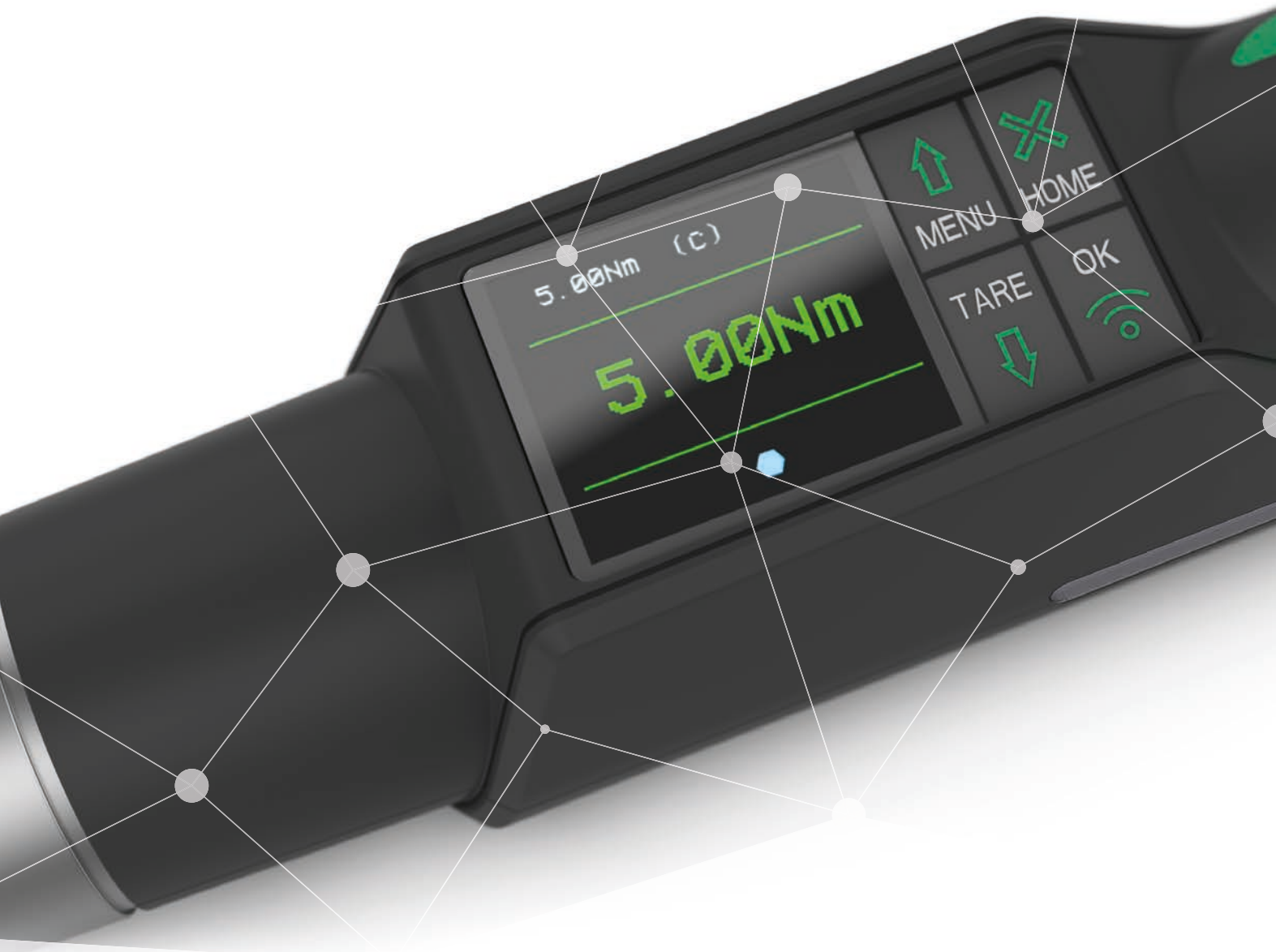
INTUITIVELY SIMPLE.

Easy learning curve thanks to almost self-explanatory controls and an easily understood menu structure.

Additional benefits

- Available in four versions for different torque ranges: 12-120 cN·m, 30-300 cN·m, 60-600 cN·m and 100-1000 cN·m.
- Three operating modes and visual, acoustic and tactile stop signals. Visual assessment of the torquing action by means of the traffic light colours in the display and laterally placed LEDs.
- The ergonomically designed convex handle promotes strain-free working and is resistant to oils, grease, fuels, brake fluids and Skydrol.
- The first member in the family: STAHlwILLE will be continuously extending the electromechanical torque screwdriver range.





Electronics and mechanics: the perfect symbiosis.

TORSIOTRONIC - this is the name behind the first electromechanical torque screwdriver in the world. The patented trigger system, based on a ball mechanism, trips with audible and tactile signals when the target torque is reached. The tool measures as accurately as only an electronic torque tool can. The fine-tooth ratchet, a wide range of programming options and a micro-USB interface make the TORSIOTRONIC the ideal tool when it comes to logging work steps, applying very small torques or following complex tightening sequences.

